

YENİ NESİL
KORKULUK SİSTEMLERİ

NEXT GENERATION
RAILING SYSTEMS



neutron

Dairesel Korkuluk Sistemleri
Circular Railing Systems

alurail®

KORKULUK SİSTEMLERİ / RAILING SYSTEMS

2019
Ürün Kataloğu
Product Catalogue

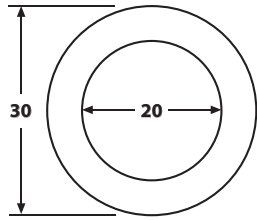


Quality Certificate

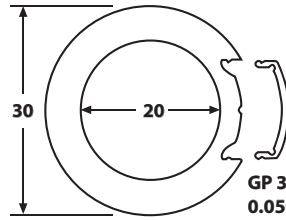


Certificate No. 3670

DİKME 3020 / POST 3020



GP 301
1.050 kg/mt



GP 302
0.950 kg/mt

GP 303
0.050 kg/mt



SERİ 3020

GM 301



SERİ 3020

GM 301 A



SERİ 3020

GM 302



SERİ 3020

GM 303



GF 301



GF 302



GF 303



GF 303 A



GC 101



GC 101 A



SERİ 3020

GC 301



SERİ 3020

GC 301 A



SERİ 3020

GC 302



SERİ 3020

30°

GC 302 A

DİKME 3020 / POST 3020



GY 101



GY 301



GY 302



GY 303



GY 304



GT 301



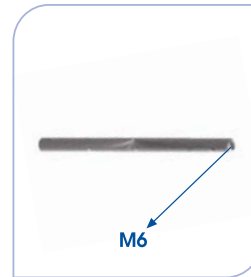
GV 108



GA 102



GA 103



GA 105



GA 301

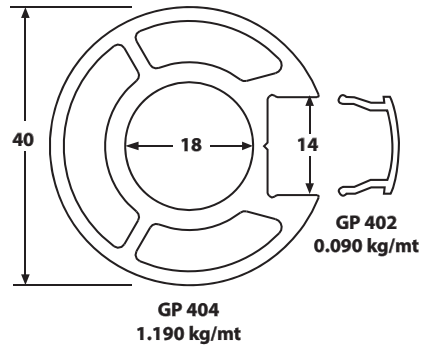
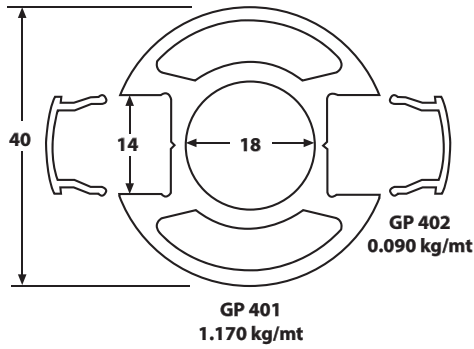


GA 301 A



GA 301 B

DİKME 4018 / POST 4018



GM 401



GM 401 A



GM 401 B



GM 402



GM 405



GM 406



GM 407



GM 407 A



GM 407 B



GM 408



GM 409

DİKME 4018 / POST 4018



GF 401



GF 402



GF 403 A



GF 403 B



GC 101



GC 101 A



SERİ 4018

GC 401



SERİ 4018

GC 401 A



SERİ 4018
SERİ 4020

GC 402



SERİ 4018
SERİ 4020

GC 402 A



SERİ 4018
SERİ 4020 K
SERİ 5020 K

GC 403



SERİ 4018
SERİ 4020 K
SERİ 5020 K

GC 403 A

KESİM YÖNÜ BELİRTİNİZ.
PLEASE DEFINE DIRECTION



SERİ 4018
SERİ 4020 K
SERİ 5020 K

GC 404



SERİ 4018
SERİ 4020 K
SERİ 5020 K

GC 404 A

KESİM YÖNÜ BELİRTİNİZ.
PLEASE DEFINE DIRECTION



SERİ 4018
SERİ 4020

GC 405



SERİ 4018
SERİ 4020

GC 405 A



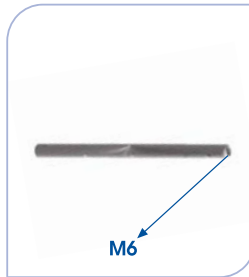
SERİ 4018
SERİ 4020

GC 406



SERİ 4018
SERİ 4020

GC 406 A



GA 105



GA 103

DİKME 4018 / POST 4018



GA 401



GA 401 A



GY 101



GY 101 A



GY 401



GY 401 A



GY 401 B



GY 402



GY 402 A



GY 403



GY 404



GY 405



GY 406



GY 407



GY 408



GY 408 A



GT 401



GV 102

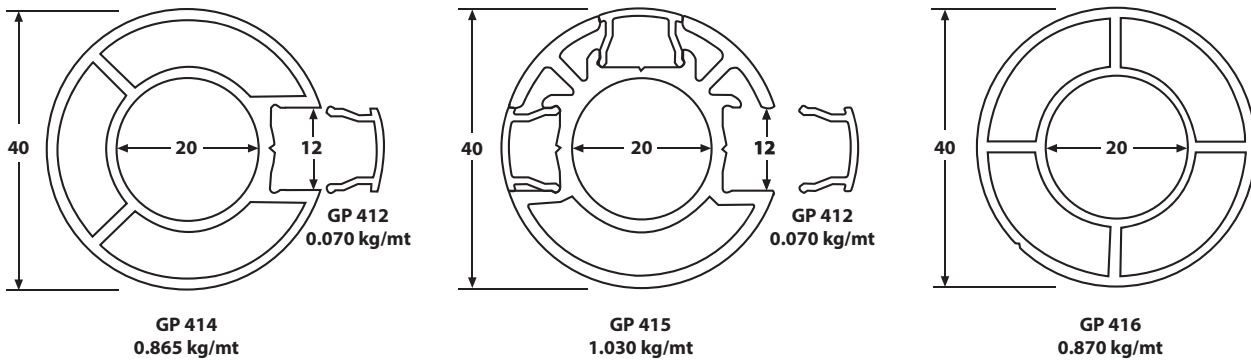
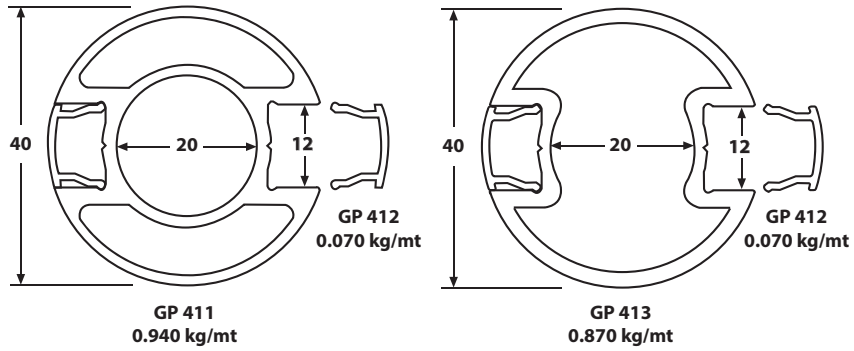


GV 103



GV 104

DİKME 4020 / POST 4020



GM 411

GM 411 A

GM 411 B

GM 411 C



GM 412

GM 412 A

GM 415

GM 415 A

DİKME 4020 / POST 4020



GM 415 B



GM 416



GM 416 A



GM 417



GM 417 A



GM 417 B



GM 418



GM 418 AL



GM 418 AR



GM 419



GM 419 AL



GM 419 AR



GF 411



GF 411 A



GF 411 B



GF 411 E



GF 412



GF 412 A



GF 412 B



GF 413

DİKME 4020 / POST 4020



GF 403 A



GF 403 B



GF 404



GF 404 A



GC 111



GC 111 PL



SERİ 4020

GC 411



SERİ 4020

GC 412



SERİ 4018
SERİ 4020

GC 412 B



SERİ 4020

GC 412 C



SERİ 4020

GC 412 D



SERİ 4020

GC 413



SERİ 4020

GC 413 B



SERİ 4020

GC 414



SERİ 4020

GC 415



SERİ 4020

GC 416

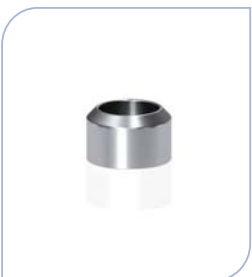


SERİ 4020

GC 417



GY 101



GY 101 A



GY 111



SERİ 3520 K
SERİ 4018
SERİ 4020
SERİ 4020 K

GY 401

DİKME 4020 / POST 4020



GY 401 A



GY 401 B



GY 402 A



GY 403



GY 404



GY 404 A



GY 404 B



GY 405



GY 406



GY 406 B



GY 407



GY 411



GY 411 A



GY 414



GY 414 A



GY 418



GY 418 A



GY 418 B

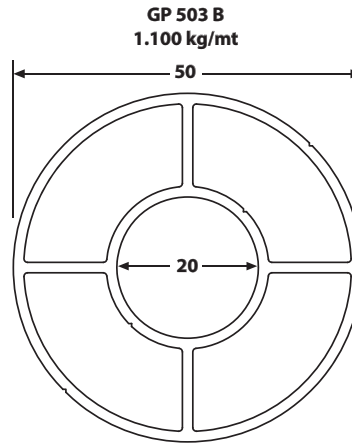
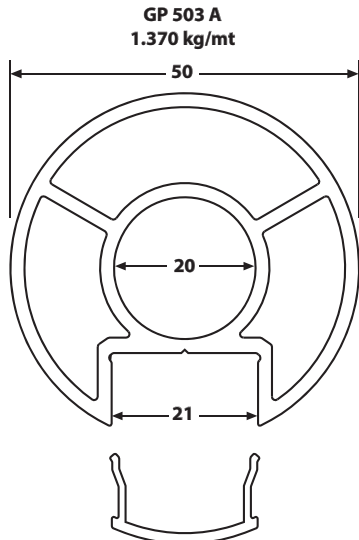


GT 411



GT 412

DİKME 5020 / POST 5020



GP 504 A
0.140 kg/mt



GM 501



GM 502



GM 505



GM 506



GM 507



GM 508



GF 501



GF 502



GC 101



GC 101 A



GC 502



GC 502 A

DİKME 5020 / POST 5020



GC 502 B



GC 502 C



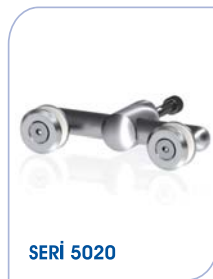
GC 502 D



GC 505



GC 505 A



GC 506



GC 506 A



GY 101



GY 404



GY 404 A



GY 407 A



GY 501



GY 503



GY 504



GY 505



GY 508



GY 508 A

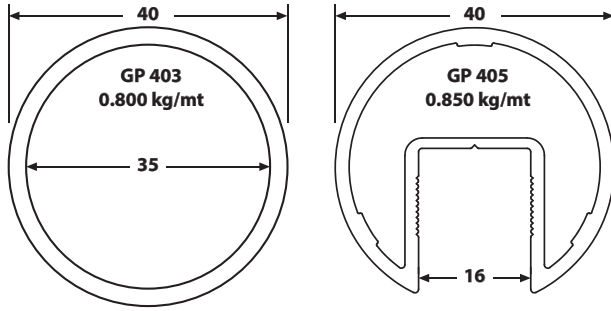


GY 508 B



GT 501

40 mm. KÜPEŞTE SİSTEMİ / 40 mm. BALUSTRADE SYSTEM



GM 101 A

GM 101 AH



GM 101 D



GM 431



GF 401



GF 402



GF 403



GF 403 A



GF 403 C



GF 405



GS 401



GS 402



GS 402 T



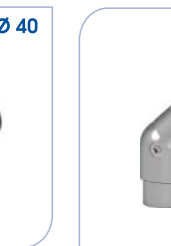
GS 403



GS 403 T



GS 404



GS 404 A



GS 404 B



GB 401



GA 402



GA 403



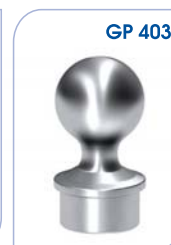
GA 404



GT 403

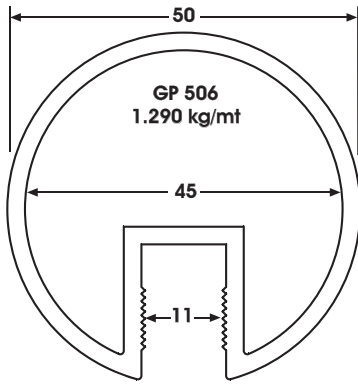
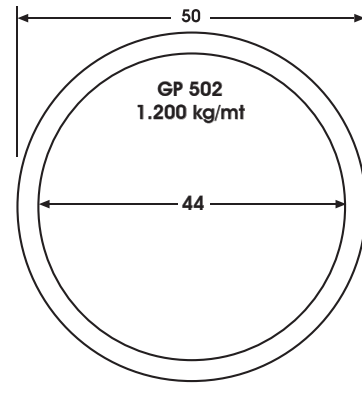
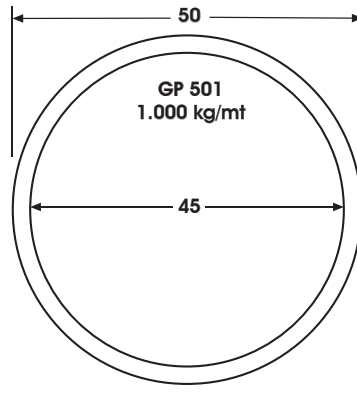
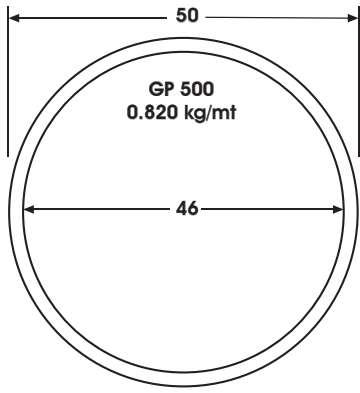


GT 403 E



GT 404

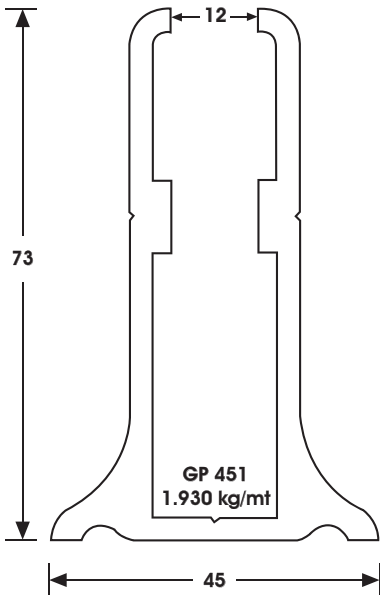
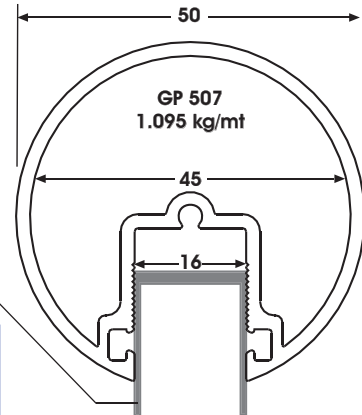
50 mm. KÜPEŞTE SİSTEMİ / 50 mm. BALUSTRADE SYSTEM



GV 301 C8 4+4 CAM
GV 301 C10 5+5 CAM
GV 301 C12 6+6 CAM



GV 301 C8-10-12



GM 101



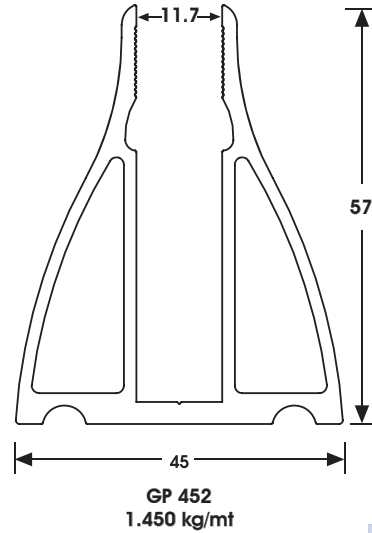
GM 101 H



GM 101 C



GM 101 E



GM 102 B



GM 111



GM 511



GM 512



GM 513

50 mm. KÜPEŞTE SİSTEMİ / 50 mm. BALUSTRADE SYSTEM



GF 501

GF 502

GF 503

GF 503 A

GF 503 B



GF 504

GF 504 A

GF 504 B

GF 507

GF 507 A



GF 507 B

GF 508

GS 501

GS 502

GS 502 A



GS 502 B

GS 502 C

GS 502 D

GS 502 T



GS 503

GS 503 B.30°

GS 503 B.45°

GS 503 B.60°

50 mm. KÜPEŞTE SİSTEMİ / 50 mm. BALUSTRADE SYSTEM



GS 503 C

GS 503 D

GS 503 T

GS 504

GS 504 A



30-90°

0-90°

GS 504 B

GS 506

GB 501

GB 501 A

GB 501 B



GA 502

GA 502 A

GA 503

GA 504

GA 505



GA 506

GA 507

GY 506

GY 507



GT 502 E

GT 503 E

GT 504 E

GT 505

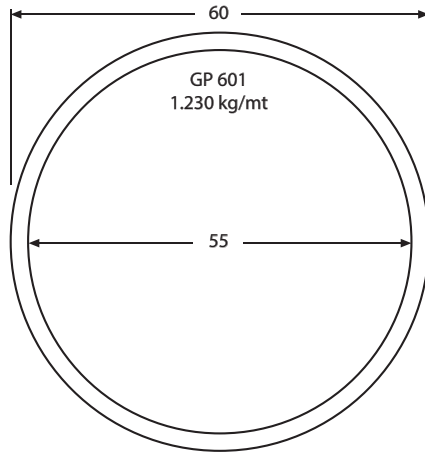
GT 505 K

60 mm. KÜPEŞTE SİSTEMİ / 60 mm. BALUSTRADE SYSTEM



Ø 50-60
GP 612
GP 800

GM 101



Ø 50-60
GP 612
GP 800

GM 101 H



Ø 50-60

GM 101 C



Ø 50-60

GM 101 E



Ø 50-60
GP 612
GP 800

GM 102 B



Ø 50-60

GM 111



Ø 60

GF 601



Ø 60

GF 602



Ø 60

GF 606/GF 606 A



Ø 60

180°

GS 601



Ø 60

90°

GS 602



GP 601

90°

GS 602 T



Ø 60

45°

GS 603



GP 601

45°

GS 603 T



Ø 60

0-90°

GS 604



GP 601

GA 601



GP 601

GA 603



GP 601

GA 605



Ø 60

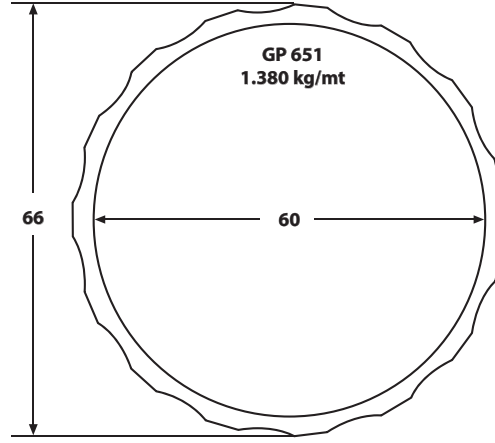
GB 601



GP 601

GT 601

Ø 65 BAŞLANGIÇ DİKMESİ / Ø 65 POLE



GA 301 C



GF 651



GA 651

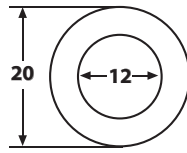


GT 651

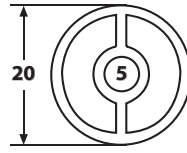


GT 651 K

20 mm. EMNİYET HATTI SİSTEMİ / 20 mm. GUARDRAIL SYSTEM



GP 201
0.560 kg/mt



GP 203
0.350 kg/mt



GS 201



GS 201 A



GS 202



GS 202 A



GS 203



GB 201



GA 201



GA 202

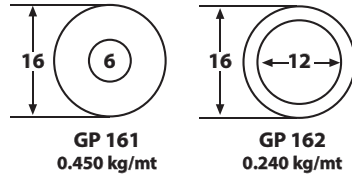


GT 201



GT 202

16 mm. EMNİYET HATTI SİSTEMİ / 16 mm. GUARDRAIL SYSTEM



GF 161



GF 162



GF 162 A



GS 161



GS 161 A



GS 162



GS 162 A



GS 163



GS 163 A



GB 161



GB 161 A



GA 201



GA 202



GT 161

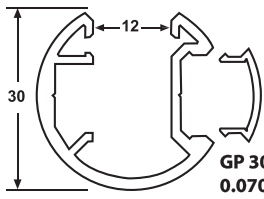


GT 162



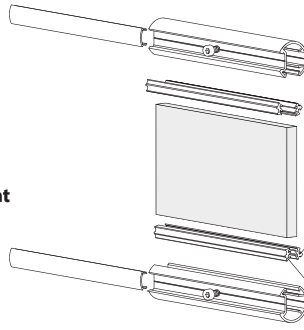
GT 163

30 mm. EMNİYET PANEL SİSTEMLERİ / 30 mm. GUARD PANEL SYSTEM

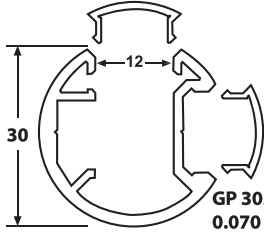


GP 304
0.470 kg/mt

GP 305
0.070 kg/mt

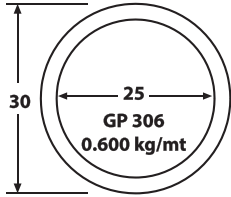
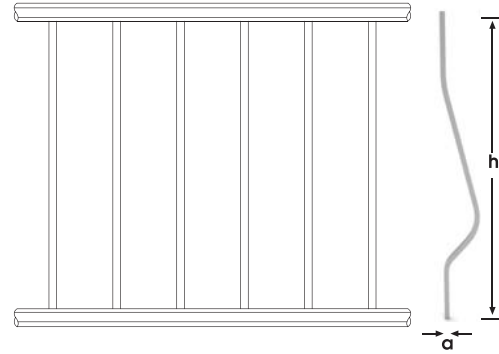
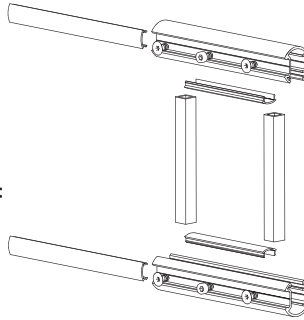


GV 301 A
GV 301 B

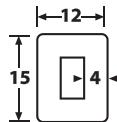


GP 304
0.470 kg/mt

GP 305
0.070 kg/mt



GP 306
0.600 kg/mt

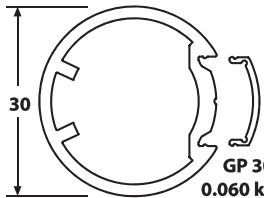


GP 122
0.420 kg/mt



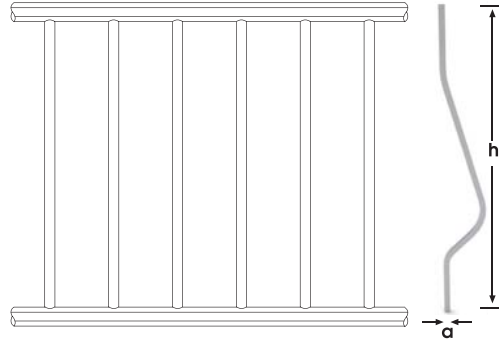
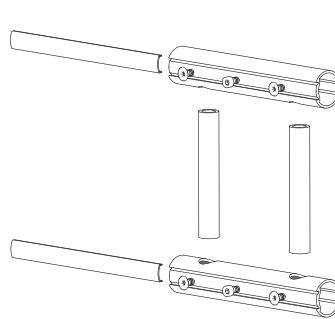
GP 121
0.225 kg/mt

KOD No. ITEM Nr.	h (mm)	a (mm)
GP 121 C	700	∅ 12

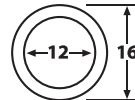


GP 307
0.550 kg/mt

GP 303
0.060 kg/mt

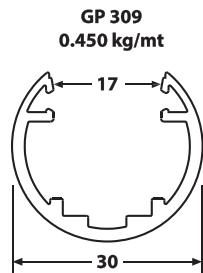


GP 307.120

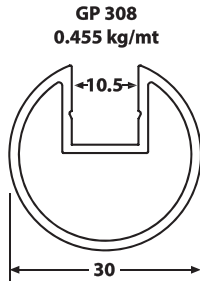


GP 162
0.240 kg/mt

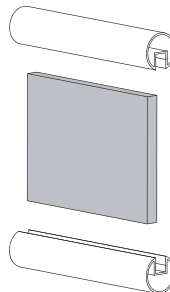
KOD No. ITEM Nr.	h (mm)	a (mm)
GP 162 C	700	∅ 16



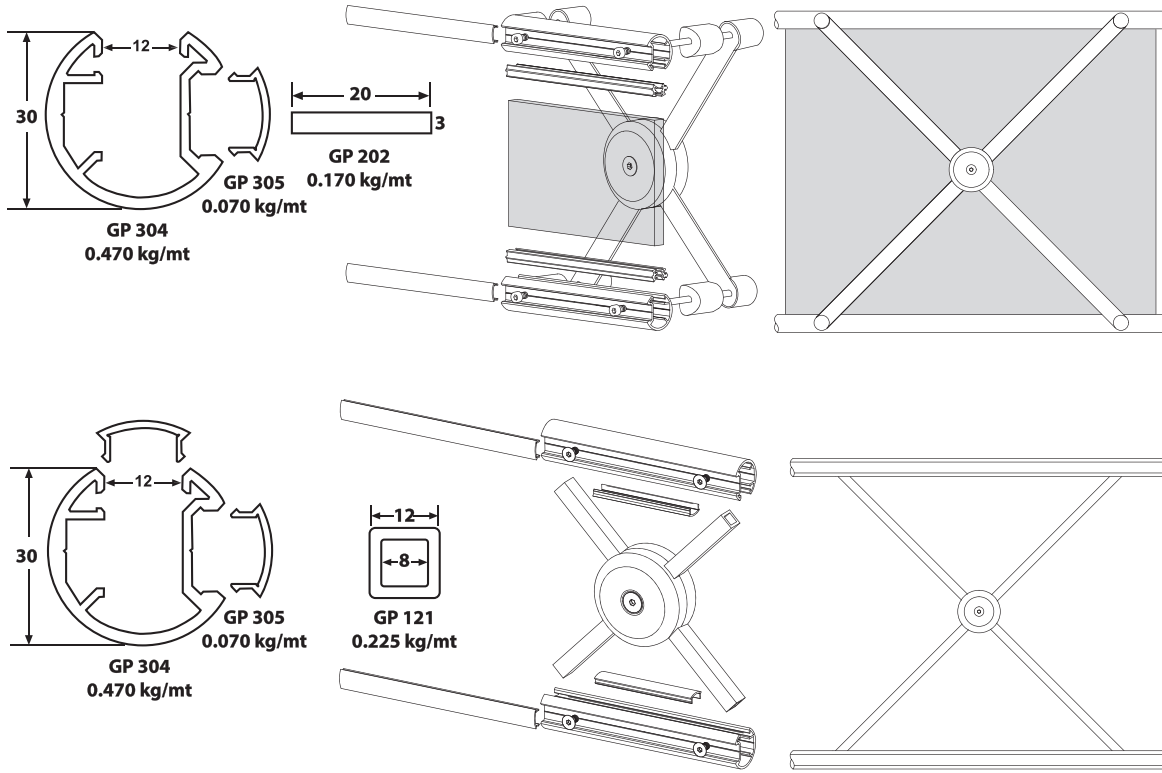
GP 309
0.450 kg/mt



GP 308
0.455 kg/mt



30 mm. EMNİYET PANEL SİSTEMLERİ / 30 mm. GUARD PANEL SYSTEM



GF 303

GF 303 A

GT 301

GT 302

GT 303

GB 301



90°

60°

45°

30°

0-90°

GS 301

GS 301 A

GS 302

GS 302 A

GS 303



GY 102

GY 103

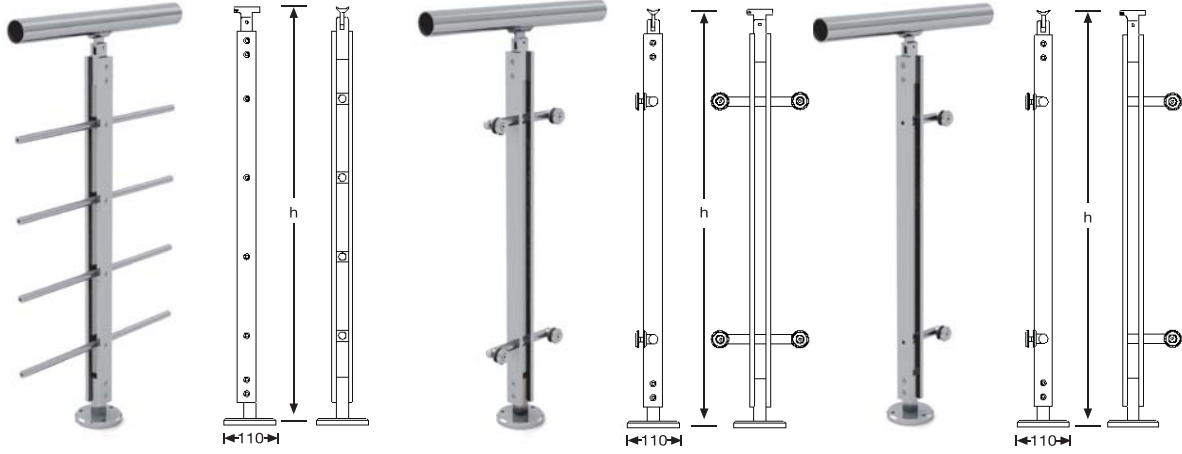
GY 305

GC 111 PL

GV 301 A

GV 301 B

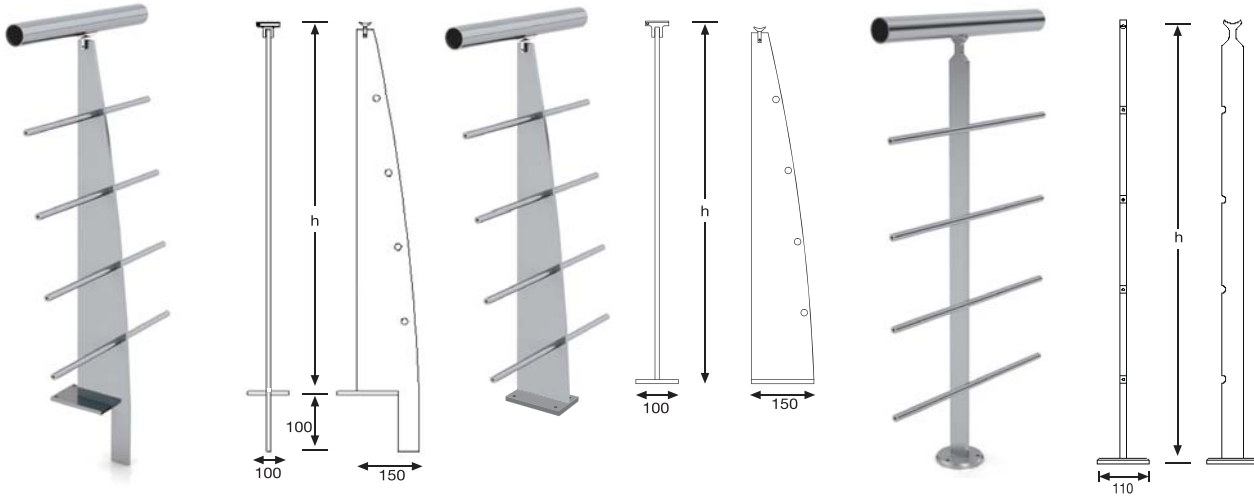
LAMA DİKMELER / FLAT BAR POSTS



KOD No. ITEM Nr.	h (mm)	# Paralel
GLA 853	850	3
GLA 854	850	4
GLA 954	950	4
GLA 955	950	5

KOD No. ITEM Nr.	h (mm)
GLA 85 CD	850
GLA 95 CD	950

KOD No. ITEM Nr.	h (mm)
GLA 85 CS	850
GLA 95 CS	950



KOD No. ITEM Nr.	h (mm)	# Paralel
GLC 853	850	3
GLC 854	850	4
GLC 954	950	4
GLC 955	950	5

KOD No. ITEM Nr.	h (mm)	# Paralel
GLC 853-A	850	3
GLC 854-A	850	4
GLC 954-A	950	4
GLC 955-A	950	5

KOD No. ITEM Nr.	h (mm)	# Paralel
GLB 853	850	3
GLB 854	850	4
GLB 954	950	4
GLB 955	950	5

VİDALAR VE YARDIMCI MALZEMELER / SCREWS & AUXILIARIES



GV 101	M8X90 İmbus	M8X90 Hexagonal Socket Screw
GV 102	M6X100 İmbus	M6X100 Hexagonal Socket Screw
GV 103	M6X60 İmbus	M6X60 Hexagonal Socket Screw
GV 104	M6X30 İmbus	M6X30 Hexagonal Socket Screw
GV 105	M8X60 İmbus	M8X60 Hexagonal Socket Screw
GV 107	M8X110 İmbus	M8X110 Hexagonal Socket Screw
GV 108	M6X70 İmbus	M6X70 Hexagonal Socket Screw
GV 109	M6X40 İmbus	M6X40 Hexagonal Socket Screw



GV 200



GV 110	Montaj Vidaları	Installation Screws
GVS 110	Paslanmaz Montaj Vidaları	Inox Installation Screws



GV 106



GV 190



GV 202

ANKRAJLAR ve ADAPTÖRLER / ANCHORS & ADAPTERS



GA 101 M8X110
GA 102 M8X140
GA 107 M10X1250
GA 108 M10X150



GA 103 M8
GA 110 M10



GA 109 M10



GA 104 M8
GA 105 M6
GA 106 M5



KOD NO ITEM Nr.	Ø (mm)	L (mm)
GA 301	20	350
GA 301 A	20	230
GA 301 B	20	200
GA 301 E*	20	220

*Borudan Mamüldür./ Produced from pipe

KOD NO ITEM Nr.	Ø (mm)	L (mm)
GA 301 D	20	140
GA 401	18	350
GA 401 A	18	200
GA 501	22	350
GA 501 B	22	200



GA 301 C



GA 411

alurail[®]

KORKULUK SİSTEMLERİ / RAILING SYSTEMS

neutron

 **GÜRSAN**[®]

ALÜMİNYUM İMALAT SANAYİ LTD. ŞTİ.

ALKOP San. Sit. B-7 Blok No:15 Esenyurt / İstanbul / Türkiye

Tel: +90 212 858 01 61 Fax: +90 212 858 01 65

www.gursan.com.tr www.alurail.com.tr

satis@gursan.com.tr

export@gursan.com.tr

UYGULAMA BAYİ

